

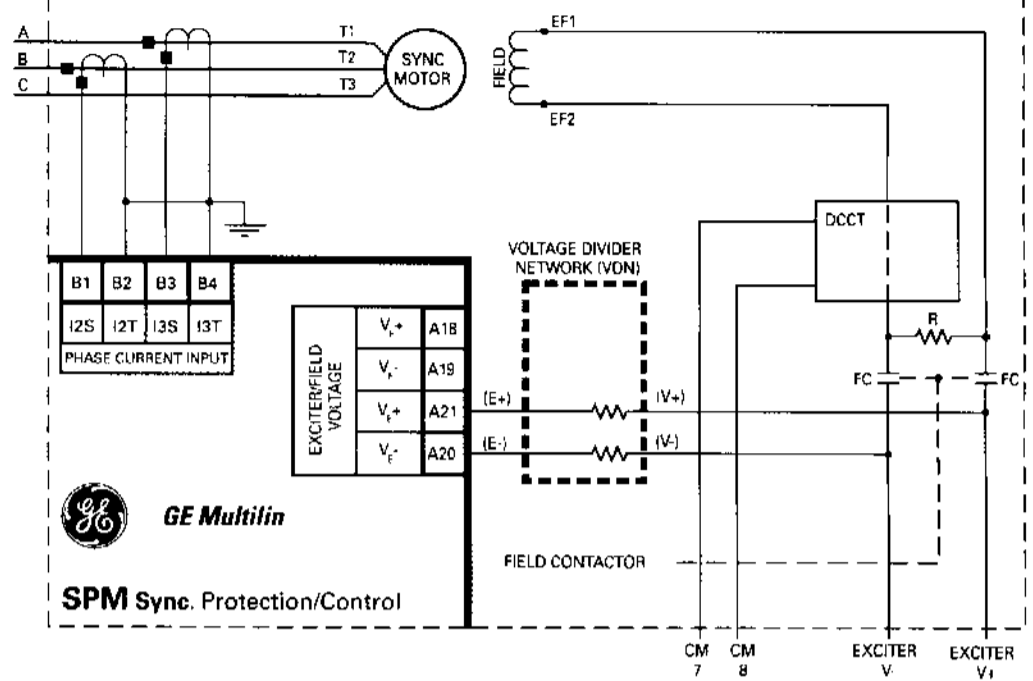
Typical Wiring

TYPICAL BRUSHLESS MOTOR CONNECTION

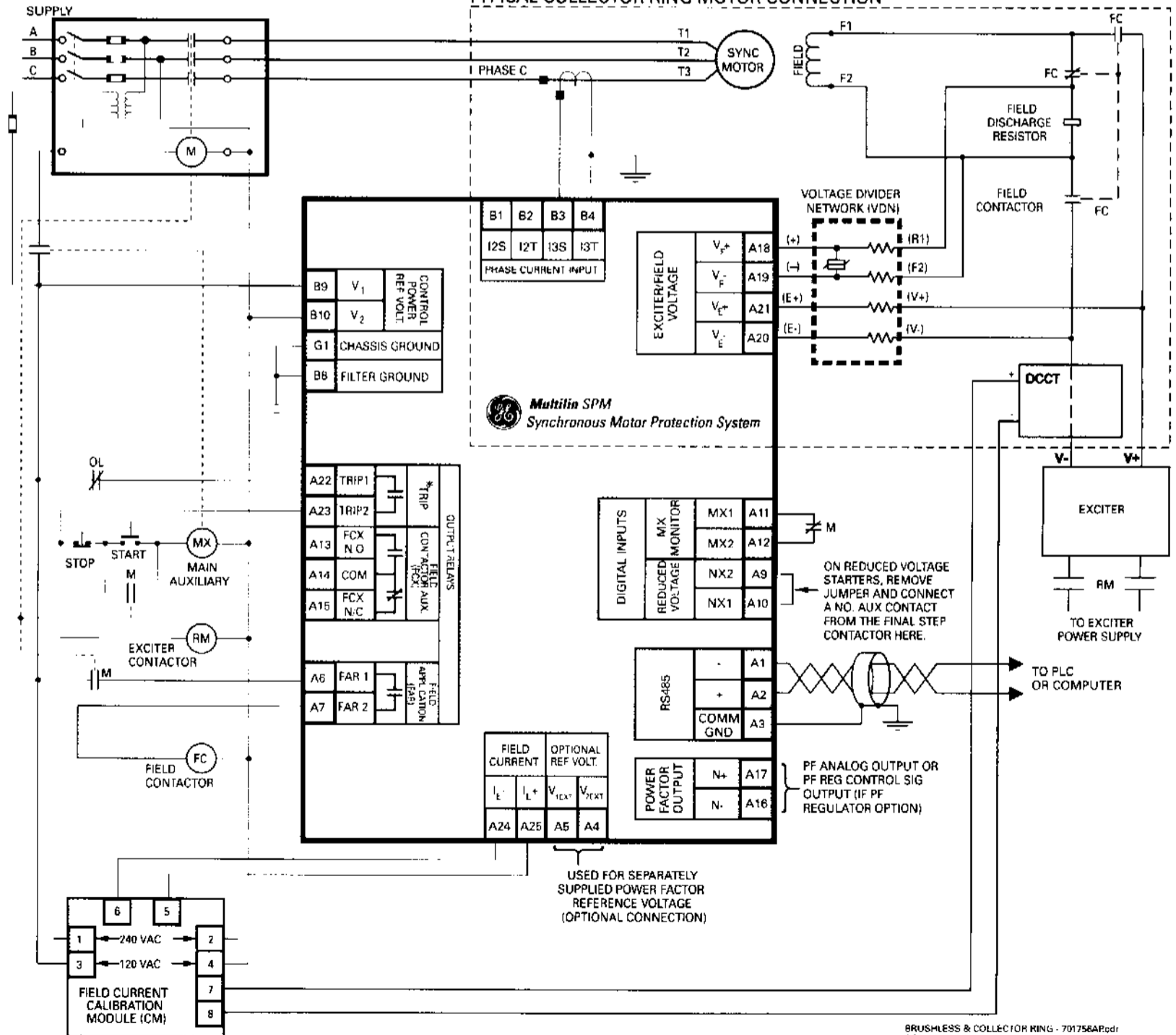
| NOMENCLATURE | |
|--------------|----------------------------------|
| CM | FIELD CURRENT CALIBRATION MODULE |
| DCCT | DIRECT CURRENT CT |
| M | MAIN CONTACTOR |
| OL | OVERLOAD RELAY |
| T1, T2, T3 | MOTOR TERMINALS |
| [] | OPTIONAL ACCESSORIES |

NOTES:

- 1) Relays shown with no control power applied to relay
- 2) *Trip Relay closed during normal operation



TYPICAL COLLECTOR RING MOTOR CONNECTION



BRUSHLESS & COLLECTOR RING - 701756A.pdf
COLLECTOR RING - 701751.DWG
BRUSHLESS - 701753.DWG