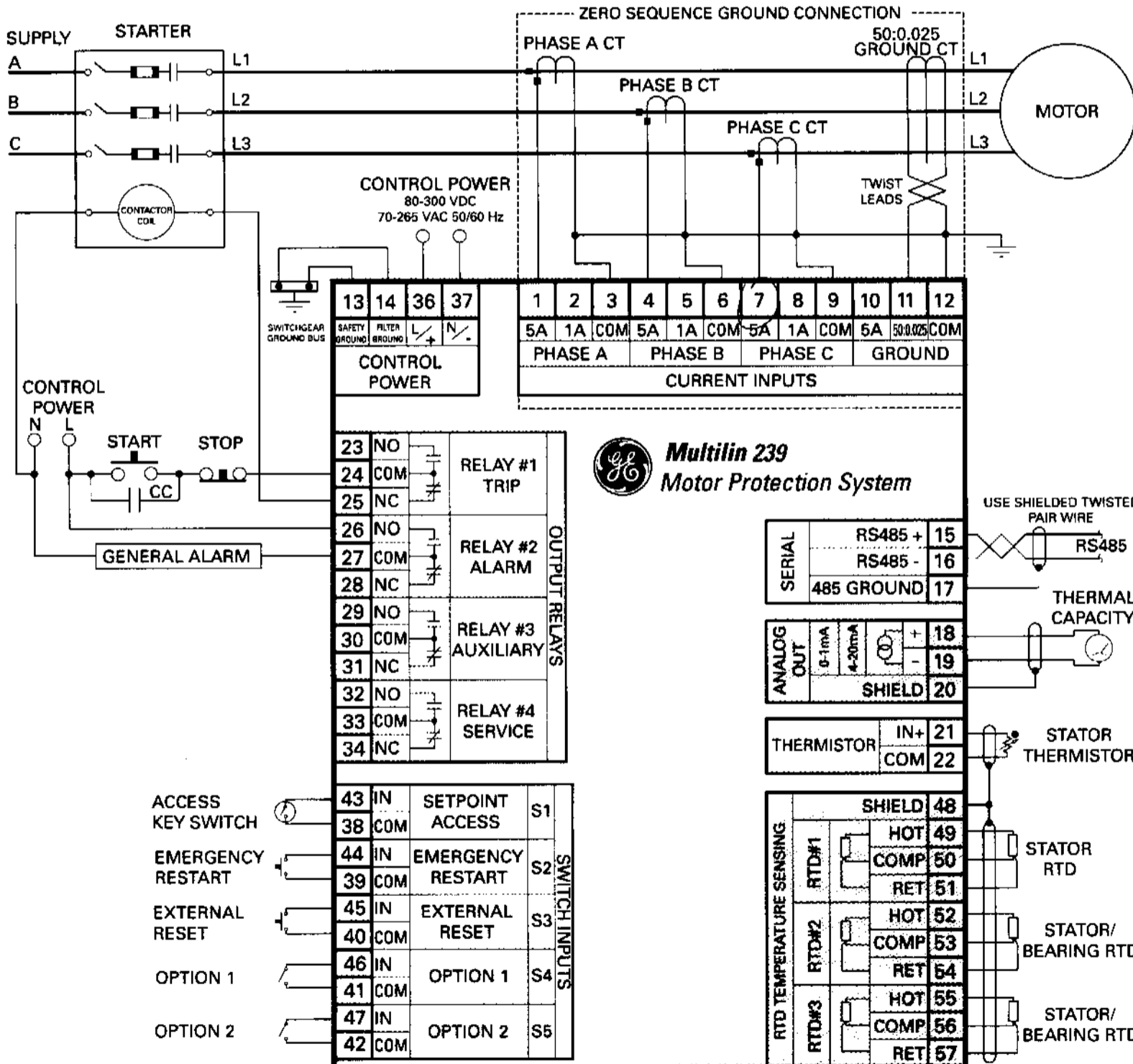
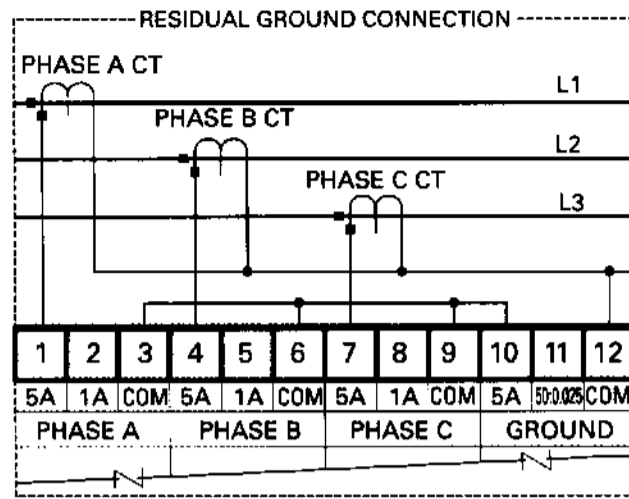
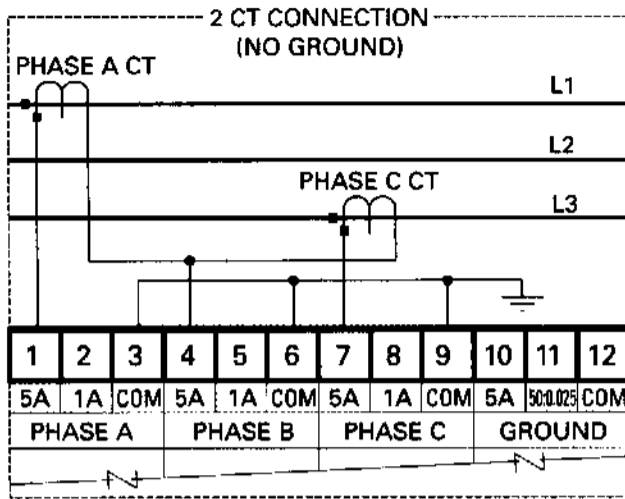


# Typical Wiring



**NOTES:**

- 1) RELAY CONTACT STATE SHOWN WITH CONTROL POWER NOT APPLIED.
- 2) RELAY FACTORY DEFAULTS: TRIP, ALARM, AUXILIARY: NON-FAILSAFE SERVICE: FAILSAFE
- 3) SHIELD TERMINALS ARE INTERNALLY CONNECTED TO SAFETY GROUND TERMINAL 13
- 4) RTD TEMPERATURE SENSING AND ANALOG OUTPUT OPTIONAL

819751B5.DWG  
819829B7.cdr